

REVISIONS			
REV	DESCRIPTION	DATE	APPROVED

NOTES:

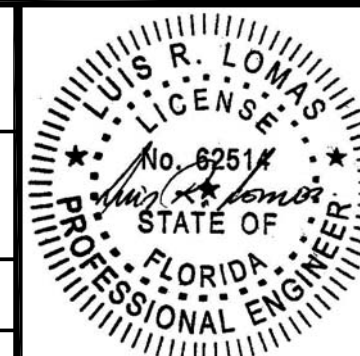
1. THE PRODUCT SHOWN HEREIN IS DESIGNED AND MANUFACTURED TO COMPLY WITH REQUIREMENTS OF THE FLORIDA BUILDING CODE.
2. WOOD AND METAL FRAMING AND MASONRY OPENING TO BE DESIGNED AND ANCHORED TO PROPERLY TRANSFER ALL LOADS TO STRUCTURE. FRAMING AND MASONRY OPENING IS THE RESPONSIBILITY OF THE ARCHITECT OR ENGINEER OF RECORD.
3. 1X BUCK OVER MASONRY/CONCRETE IS OPTIONAL.
4. WHERE SHIM OR BUCK THICKNESS IS LESS THAN 1-1/2" UNITS MUST BE ANCHORED THROUGH THE FRAME IN ACCORDANCE WITH MANUFACTURER'S PUBLISHED INSTALLATION INSTRUCTIONS. ANCHORS SHALL BE SECURELY FASTENED DIRECTLY INTO MASONRY, CONCRETE OR OTHER STRUCTURAL SUBSTRATE MATERIAL.
5. WHERE WOOD BUCK THICKNESS IS 1-1/2" OR GREATER, BUCK SHALL BE SECURELY FASTENED TO MASONRY, CONCRETE OR OTHER STRUCTURAL SUBSTRATE. UNITS MAY BE ANCHORED THROUGH FRAME TO SECURED WOOD BUCK IN ACCORDANCE WITH MANUFACTURER'S PUBLISHED INSTALLATION INSTRUCTIONS.
6. WHERE 1X BUCK IS NOT USED DISSIMILAR MATERIALS MUST BE SEPARATED WITH APPROVED COATING OR MEMBRANE. SELECTION OF COATING OR MEMBRANE IS THE RESPONSIBILITY OF THE ARCHITECT OR ENGINEER OF RECORD.
7. BUCKS SHALL EXTEND BEYOND UNIT FRAME INTERIOR FACE SO THAT FULL FRAME SUPPORT IS PROVIDED.
8. SHIM AS REQUIRED AT EACH ANCHOR LOCATION WITH LOAD BEARING SHIM. SHIM WHERE SPACE OF 1/16" OR GREATER OCCURS. MAXIMUM ALLOWABLE SHIM STACK TO BE 1/4".
9. SHIMS SHALL BE LOCATED, APPLIED AND MADE FROM MATERIALS AND THICKNESS CAPABLE OF SUSTAINING APPLICABLE LOADS.
10. WIND LOAD DURATION FACTOR Cd=1.6 WAS USED FOR WOOD ANCHOR CALCULATIONS.
11. FRAME MATERIAL: WOOD G=.46 MINIMUM SPECIFIC GRAVITY, COMPOSITE OR FRAMESAVER.
12. UNITS MUST BE GLAZED PER ASTM E1300, SEE SHEET 2 FOR GLASS DETAILS.
13. APPROVED IMPACT PROTECTIVE SYSTEM IS NOT REQUIRED FOR THIS PRODUCT IN WIND BORNE DEBRIS REGIONS.
14. FOR ANCHORING THROUGH FRAME INTO WOOD FRAMING OR 2X BUCK USE #10 WOOD SCREWS WITH SUFFICIENT LENGTH TO ACHIEVE A 1 1/4" MINIMUM EMBEDMENT INTO SUBSTRATE. LOCATE ANCHORS AS SHOWN IN ELEVATIONS AND INSTALLATION DETAILS.

15. FOR ANCHORING THROUGH FRAME INTO MASONRY/CONCRETE USE 3/16" TAPCONS WITH SUFFICIENT LENGTH TO ACHIEVE A 1 3/4" MINIMUM EMBEDMENT INTO SUBSTRATE WITH 1 1/8" MINIMUM EDGE DISTANCE. LOCATE ANCHORS AS SHOWN IN ELEVATIONS AND INSTALLATION DETAILS.
16. FOR ANCHORING THROUGH FRAME INTO METAL STRUCTURE USE #10 SMS OR SELF DRILLING SCREWS WITH SUFFICIENT LENGTH TO ACHIEVE 3 THREADS MINIMUM BEYOND STRUCTURE INTERIOR WALL. LOCATE ANCHORS AS SHOWN IN ELEVATIONS AND INSTALLATION DETAILS.
17. ALL FASTENERS TO BE CORROSION RESISTANT.
18. INSTALLATION ANCHORS SHALL BE INSTALLED IN ACCORDANCE WITH ANCHOR MANUFACTURER'S INSTALLATION INSTRUCTIONS AND ANCHORS SHALL NOT BE USED IN SUBSTRATES WITH STRENGTHS LESS THAN THE MINIMUM STRENGTH SPECIFIED BELOW:
 - A. WOOD: MINIMUM SPECIFIC GRAVITY OF G=0.42
 - B. CONCRETE: MINIMUM COMPRESSIVE STRENGTH OF 2,000 PSI.
 - C. MASONRY: HOLLOW/FILLED BLOCK PER ASTM C90 WITH Fm=2,000PSI MINIMUM.
 - D. METAL STRUCTURE: STEEL 18GA (.048") FY=33KSI/FU=52KSI OR ALUMINUM 6063-T5 FU=30KSI 1/8" THICK MINIMUM
19. APPROVED CONFIGURATIONS: X, OX, XO, XX, OXO, XOO, OOX.

SIGNED: 11/22/2021

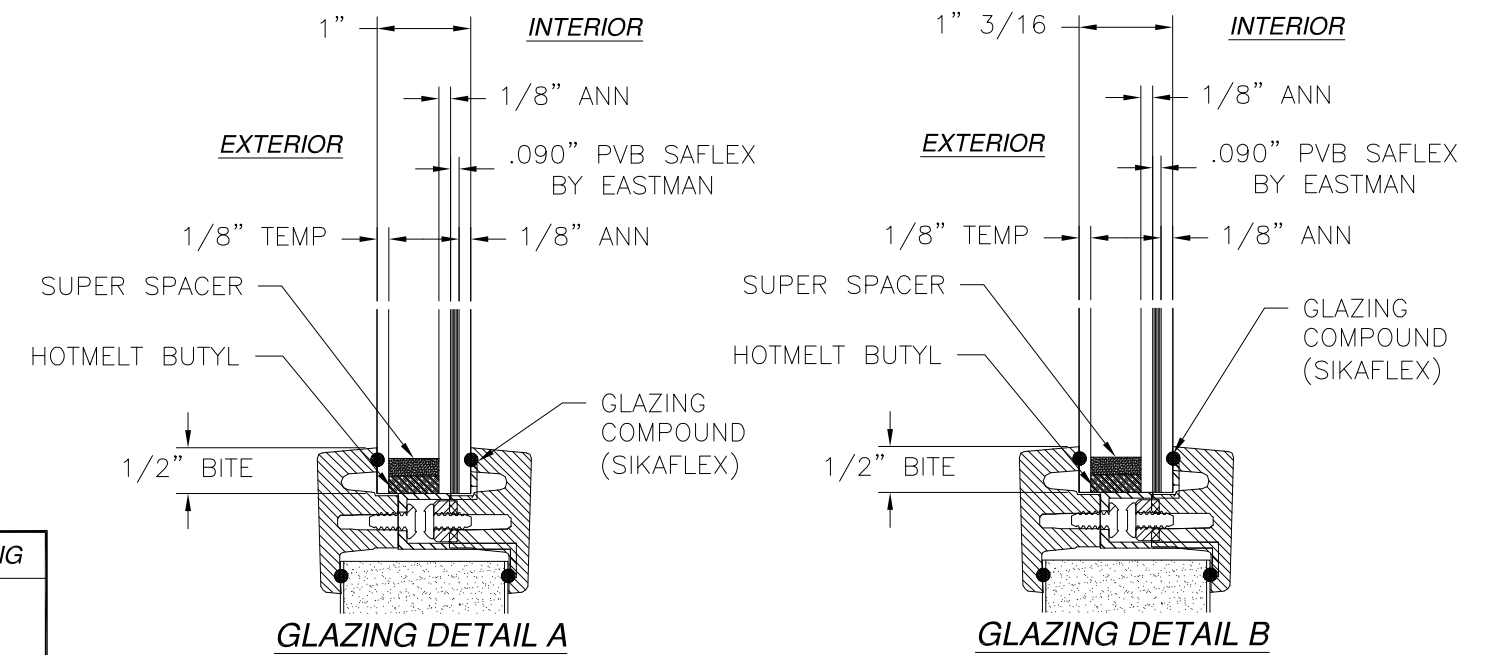
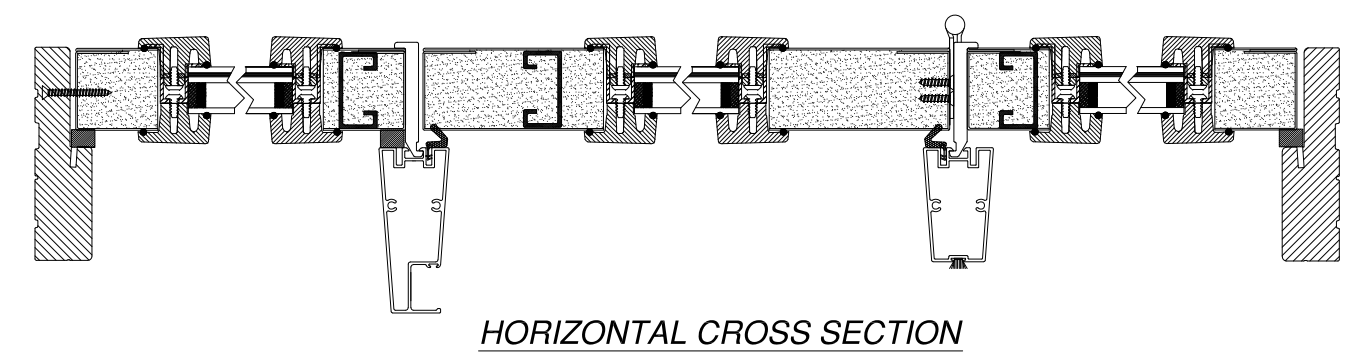
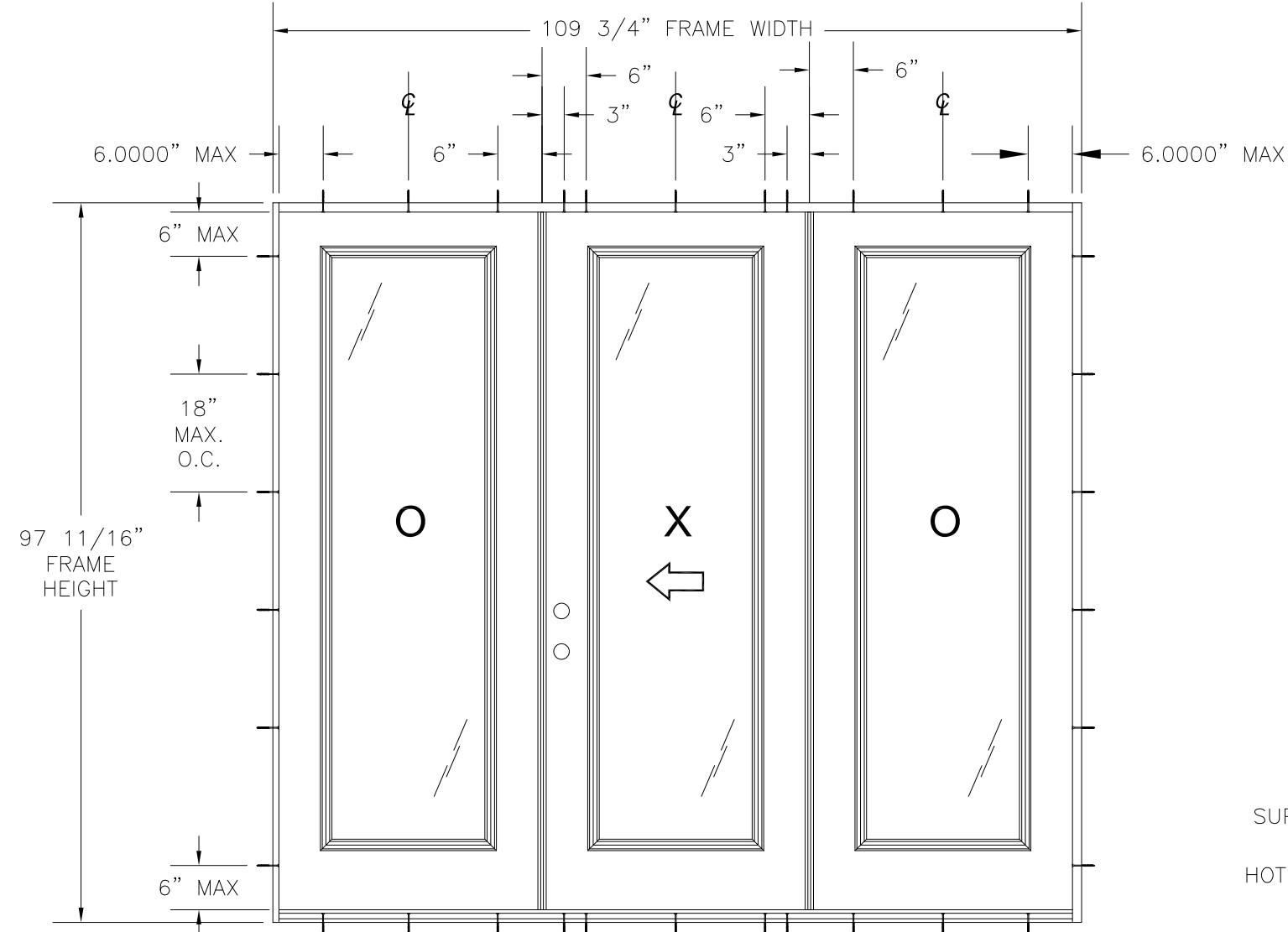
TABLE OF CONTENTS	
SHEET NO.	DESCRIPTION
1	NOTES
2	ELEVATION AND GLAZING DETAILS
3	APPROVED CONFIGURATIONS
4	APPROVED SLABS AND TRIMS
5 - 7	INSTALLATION DETAILS
8	COMPONENTS

PROVIA, LLC. 2150 STATE ROUTE 39 WEST SUGARCREEK, OHIO 44681		
20 GAUGE STEEL PATIO DOOR INSWING - IMPACT NOTES		
DRAWN: A.R.	DWG NO. 08-03752	REV -
SCALE NTS	DATE 08/05/2021	SHEET 1 OF 8
L. ROBERTO LOMAS P.E. 1432 WOODFORD RD LEWISVILLE, NC 27023 434-688-0609 rllomas@rlomaspe.com		



Luis R. Lomas P.E.
FL No.: 62514

REVISIONS			
REV	DESCRIPTION	DATE	APPROVED



20 GAUGE STEEL PATIO DOOR OXO - IMPACT

WITH SINGLE-POINT LOCK

WITH MULTI-POINT LOCK

DESIGN PRESSURE RATING	IMPACT RATING
+40.0/-45.0PSF	LARGE AND SMALL MISSILE IMPACT
<small>THIS SYSTEM WAS NOT TESTED FOR WATER INFILTRATION AND IS TO BE INSTALLED ONLY WHERE THE WATER REQUIREMENT IS NOT NEEDED</small>	

DESIGN PRESSURE RATING	IMPACT RATING
±50.0PSF	LARGE AND SMALL MISSILE IMPACT
<small>THIS SYSTEM WAS NOT TESTED FOR WATER INFILTRATION AND IS TO BE INSTALLED ONLY WHERE THE WATER REQUIREMENT IS NOT NEEDED</small>	

MISSILE LEVEL D, WIND ZONE 3

MISSILE LEVEL D, WIND ZONE 3

35 3/4" X 94 15/16" PANEL SIZE SHOWN. OTHER SIZES ARE APPROVED AS LONG AS INDIVIDUAL PANEL AREA DOES NOT EXCEED 23.56 FT²

HARDWARE SCHEDULE

- A. F-SERIES ASSEMBLY DOOR KNOB BY SCHLAGE.
- B. B-SERIES DEADBOLT ASSEMBLY BY SCHLAGE
- C. F-SERIES DEADBOLT ASSEMBLY BY SCHLAGE
- D. EMTEK RESIDENTIAL GRADE DOOR HANDLE ASSEMBLY (ALTERNATE)
- E. TRILLENIUM MULTI-POINT LOCK HANDLE ASSEMBLY (ALTERNATE)
- F. INSWING HURRICANE ASTRAGAL BY ENDURA
- G. (3) 4" X 4" BALL BEARING HINGES BY PENROD
- H. (3) 4" X 4" SPRING BOMMER HINGES BY PENROD (ALTERNATE)

- NOTES:**
- PANEL SIZE: 35 3/4" X 94 15/16"
 - D.L.O.: 21 1/8" X 79 1/4"

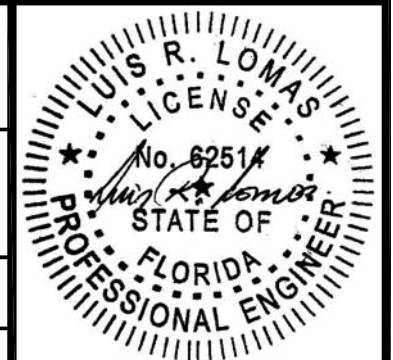
SIGNED: 11/22/2021

PROVIA, LLC.
2150 STATE ROUTE 39 WEST
SUGARCREEK, OHIO 44681

20 GAUGE STEEL PATIO DOOR
INSWING - IMPACT
ELEVATION AND GLAZING DETAILS

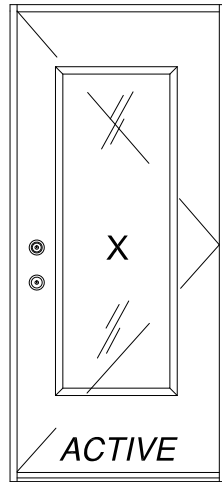
DRAWN: A.R.	DWG NO. 08-03752	REV -
SCALE NTS	DATE 08/05/2021	SHEET 2 OF 8

L. ROBERTO LOMAS P.E.
1432 WOODFORD RD LEWISVILLE, NC 27023
434-688-0609 rllomas@rlomaspe.com

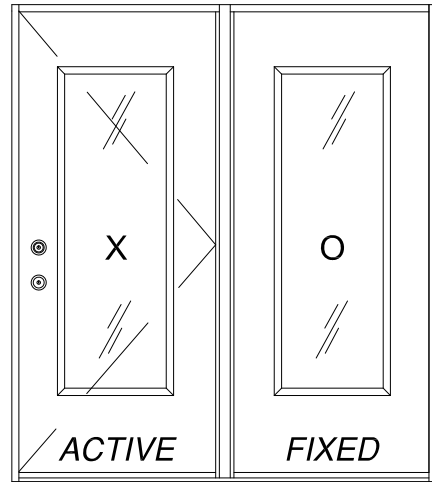


Luis R. Lomas P.E.
FL No.: 62514

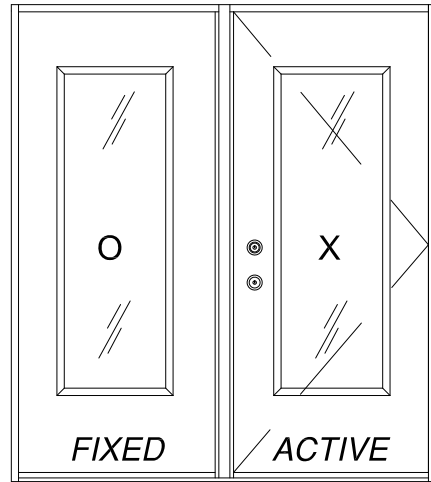
REVISIONS			
REV	DESCRIPTION	DATE	APPROVED



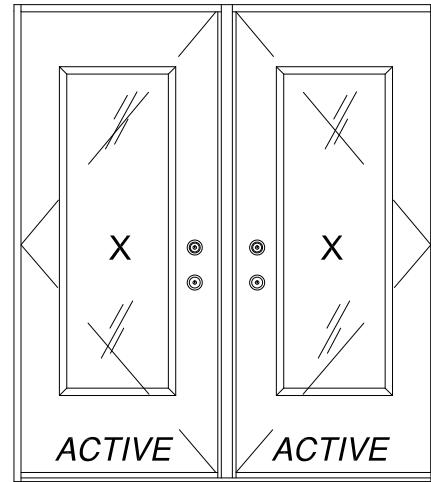
ACTIVE
SINGLE
EXTERIOR VIEW



ACTIVE **FIXED**
SINGLE W/SIDELITE
EXTERIOR VIEW

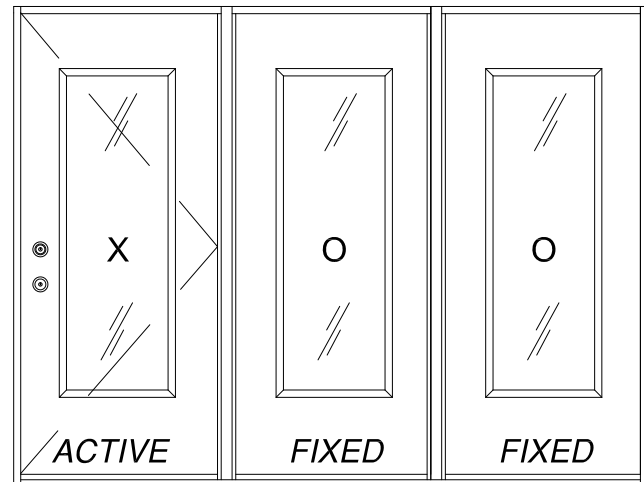


FIXED **ACTIVE**
SINGLE W/SIDELITE
EXTERIOR VIEW

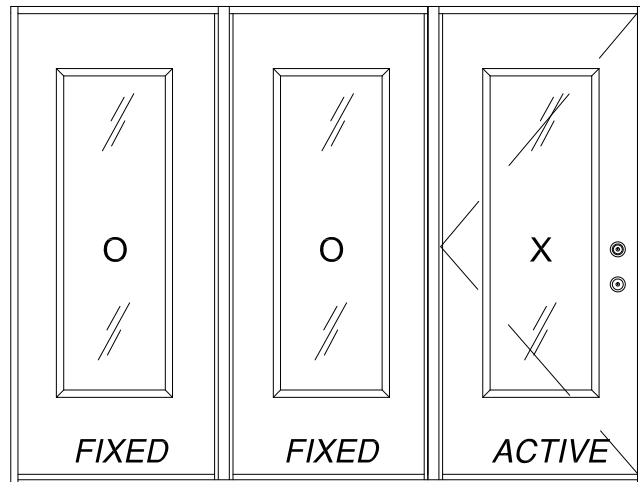


ACTIVE **ACTIVE**
SINGLE W/SIDELITE
EXTERIOR VIEW

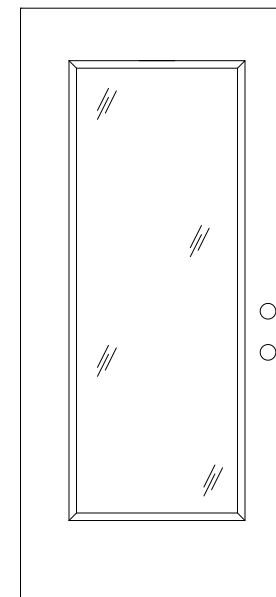
APPROVED LITE CONFIGURATIONS



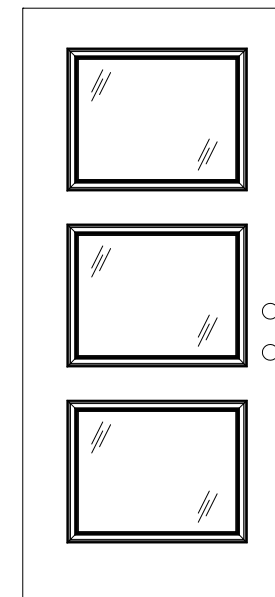
ACTIVE **FIXED** **FIXED**
SINGLE W/SIDELITES
EXTERIOR VIEW



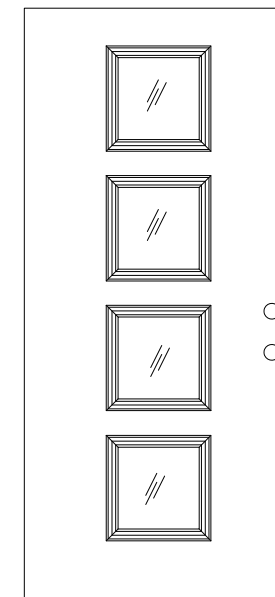
FIXED **FIXED** **ACTIVE**
SINGLE W/SIDELITES
EXTERIOR VIEW



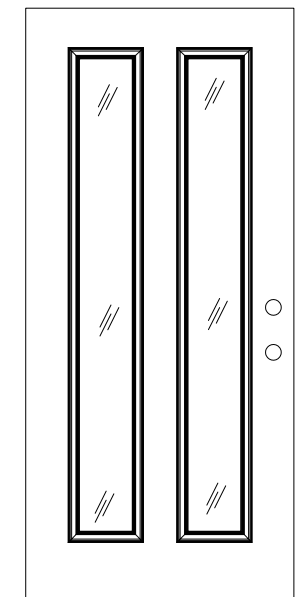
FULL LITE



3 LITE



4 LITE



2 LITE

LITE CONFIGURATIONS SHOWN ARE FOR REFERENCE ONLY. MULTIPLE LITE CONFIGURATIONS ARE APPROVED AS LONG AS LITE SIZE DOES NOT EXCEED 11.62 FT²

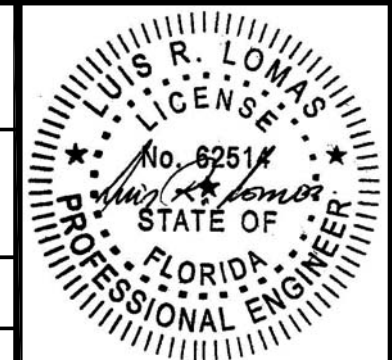
SIGNED: 11/22/2021

PROVIA, LLC.
2150 STATE ROUTE 39 WEST
SUGARCREEK, OHIO 44681

20 GAUGE STEEL PATIO DOOR
INSWING - IMPACT
APPROVED CONFIGURATIONS

DRAWN: A.R.	DWG NO. 08-03752	REV -
SCALE NTS	DATE 08/05/2021	SHEET 3 OF 8

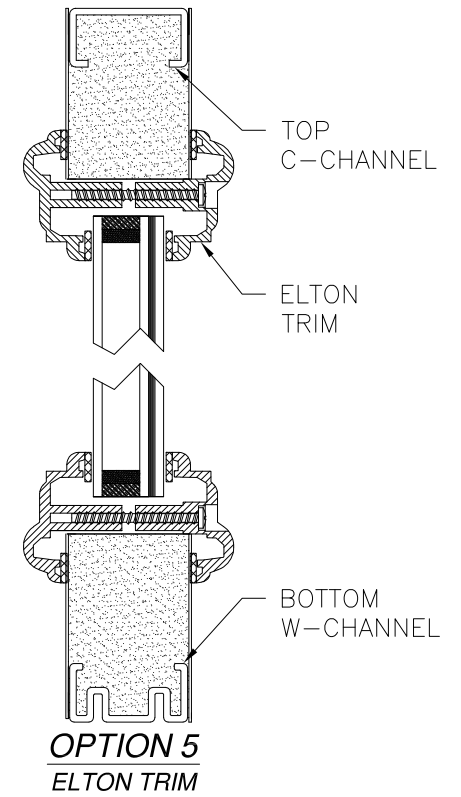
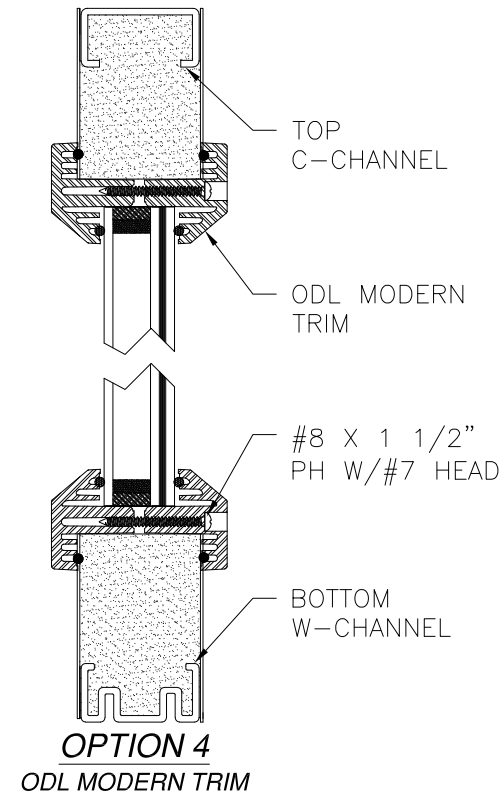
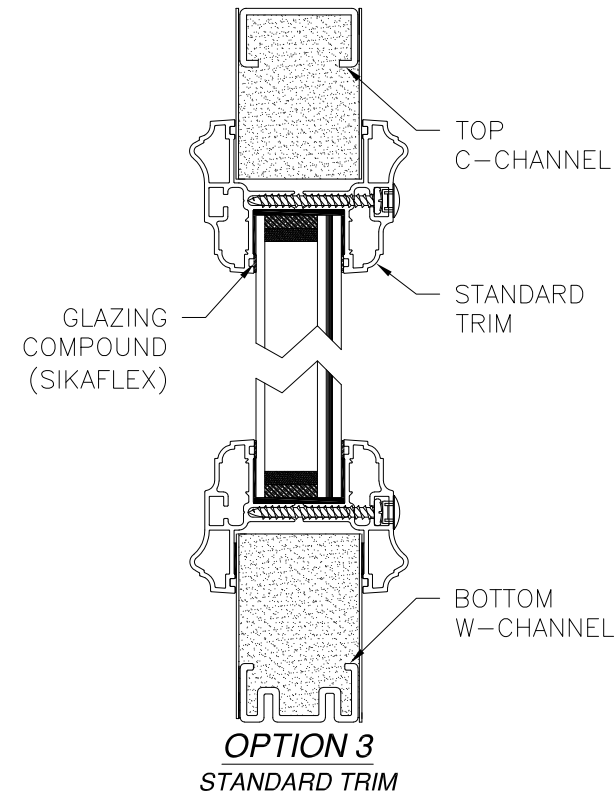
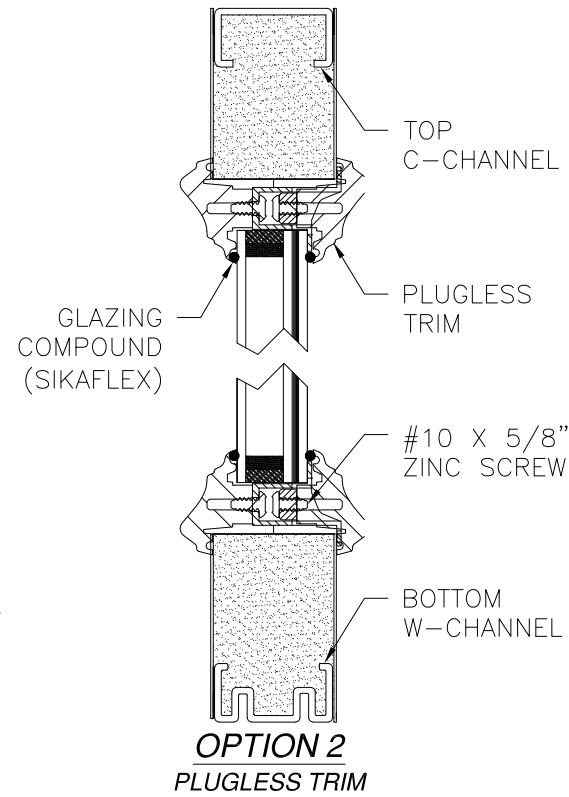
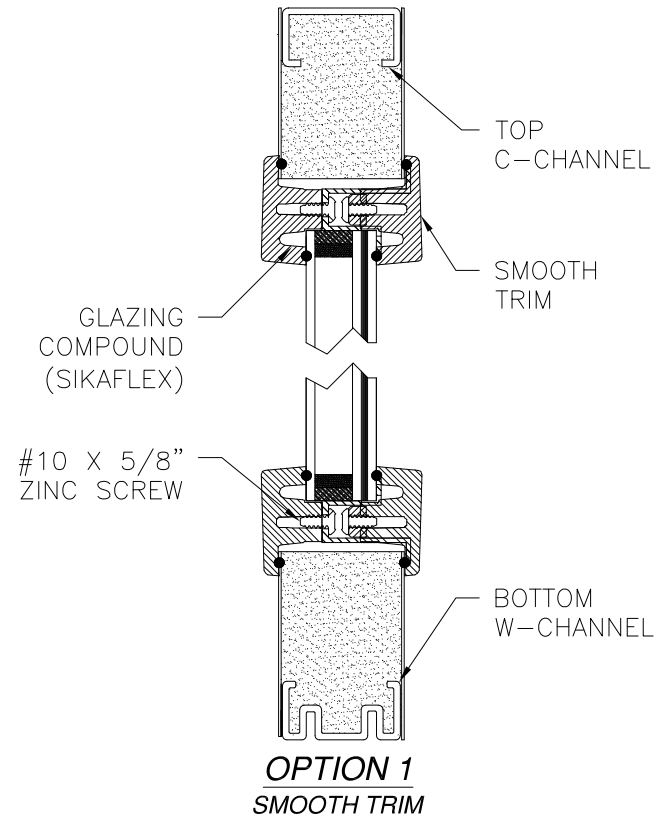
L. ROBERTO LOMAS P.E.
1432 WOODFORD RD LEWISVILLE, NC 27023
434-688-0609 rllomas@lrlomaspe.com



Luis R. Lomas P.E.
FL No.: 62514

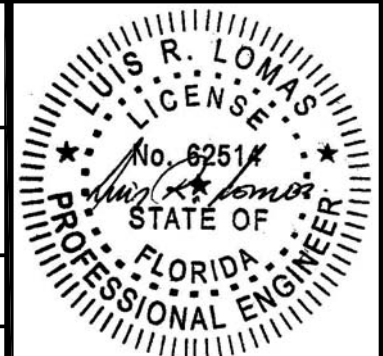
REVISIONS			
REV	DESCRIPTION	DATE	APPROVED

APPROVED SLABS AND TRIMS



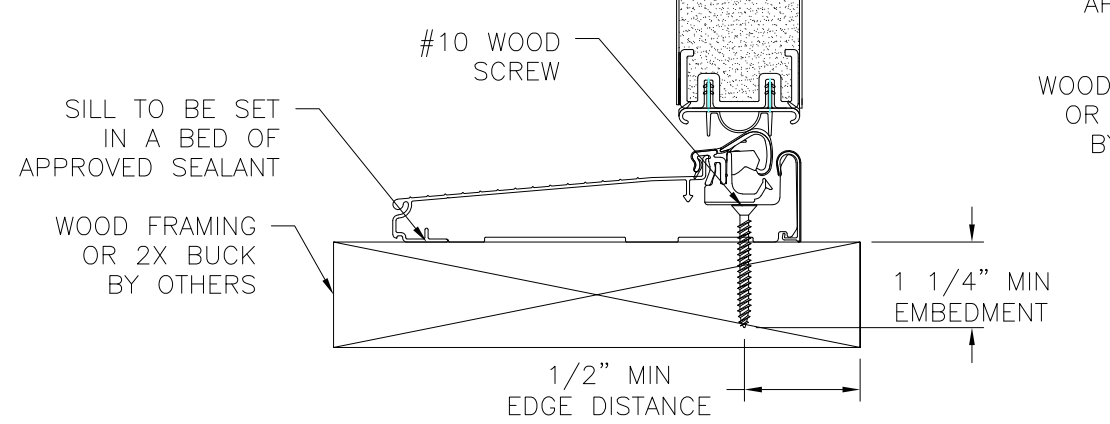
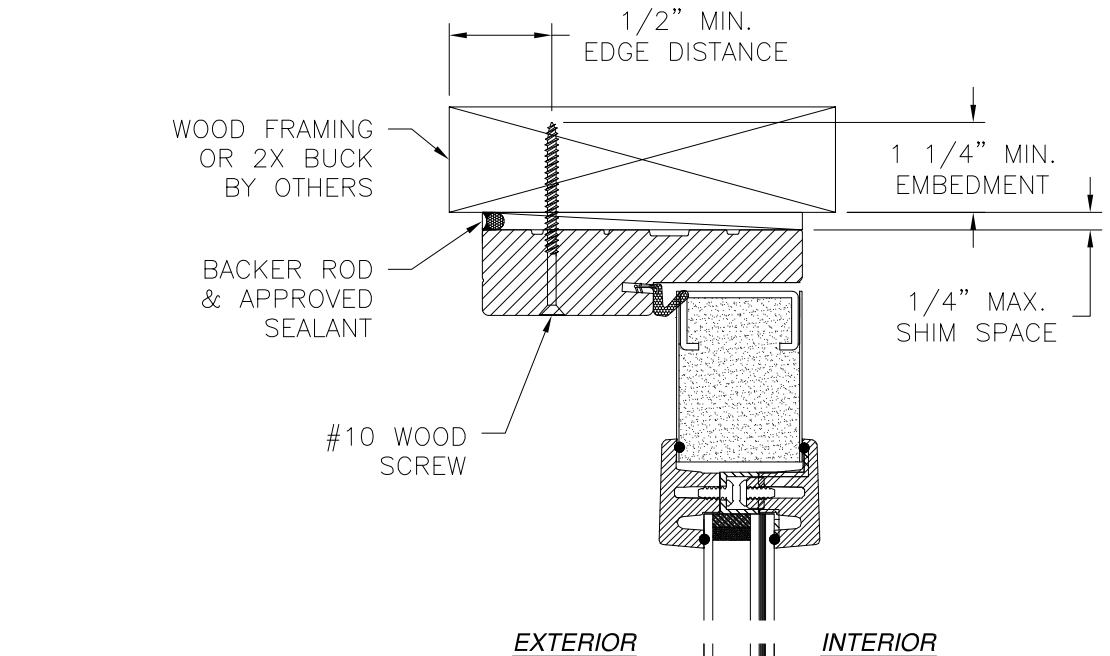
SIGNED: 11/22/2021

PROVIA, LLC. 2150 STATE ROUTE 39 WEST SUGARCREEK, OHIO 44681		
20 GAUGE STEEL PATIO DOOR INSWING - IMPACT APPROVED SLABS AND TRIMS		
DRAWN: A.R.	DWG NO. 08-03752	REV -
SCALE NTS	DATE 08/05/2021	SHEET 4 OF 8
L. ROBERTO LOMAS P.E. 1432 WOODFORD RD LEWISVILLE, NC 27023 434-688-0609 rllomas@rlomaspe.com		

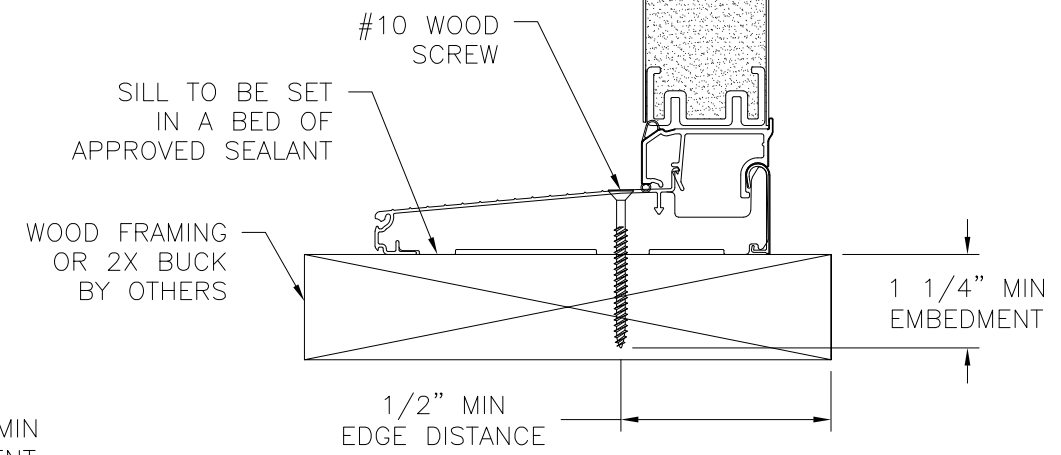
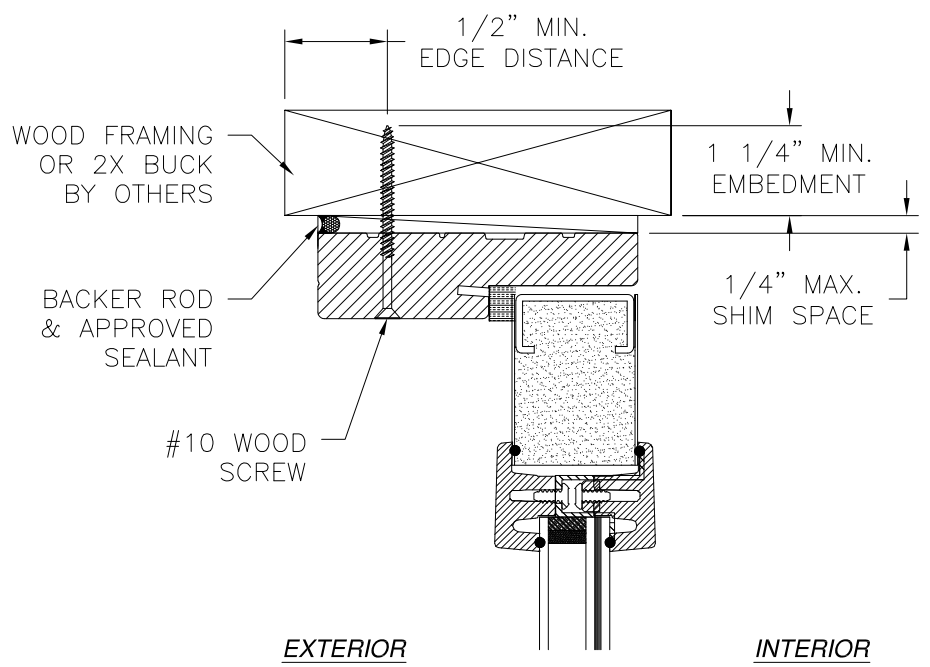


Luis R. Lomas P.E.
FL No.: 62514

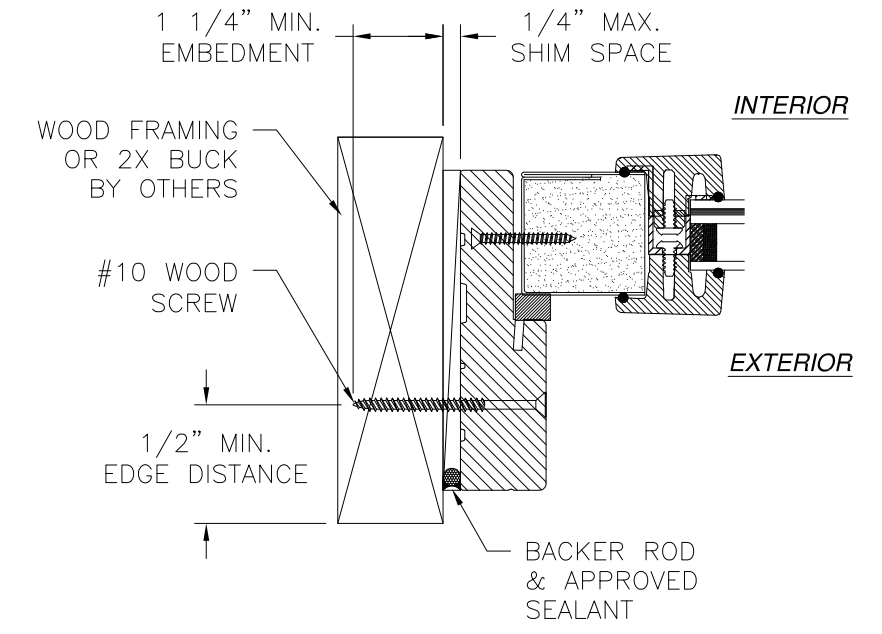
REVISIONS			
REV	DESCRIPTION	DATE	APPROVED



VERTICAL CROSS SECTION
DOOR INSTALLATION
WOOD FRAMING OR 2X BUCK INSTALLATION



VERTICAL CROSS SECTION
SIDELITE INSTALLATION
WOOD FRAMING OR 2X BUCK INSTALLATION



JAMB INSTALLATION DETAIL
WOOD FRAMING OR 2X BUCK INSTALLATION

- NOTES:**
1. INTERIOR AND EXTERIOR FINISHES, BY OTHERS, NOT SHOWN FOR CLARITY.
 2. PERIMETER AND JOINT SEALANT BY OTHERS TO BE DESIGNED IN ACCORDANCE WITH ASTM E2112

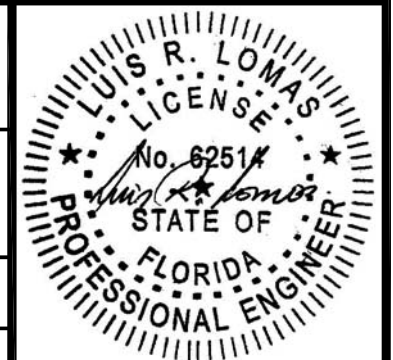
SIGNED: 11/22/2021

PROVIA, LLC.
2150 STATE ROUTE 39 WEST
SUGARCREEK, OHIO 44681

20 GAUGE STEEL PATIO DOOR
INSWING - IMPACT
INSTALLATION DETAILS

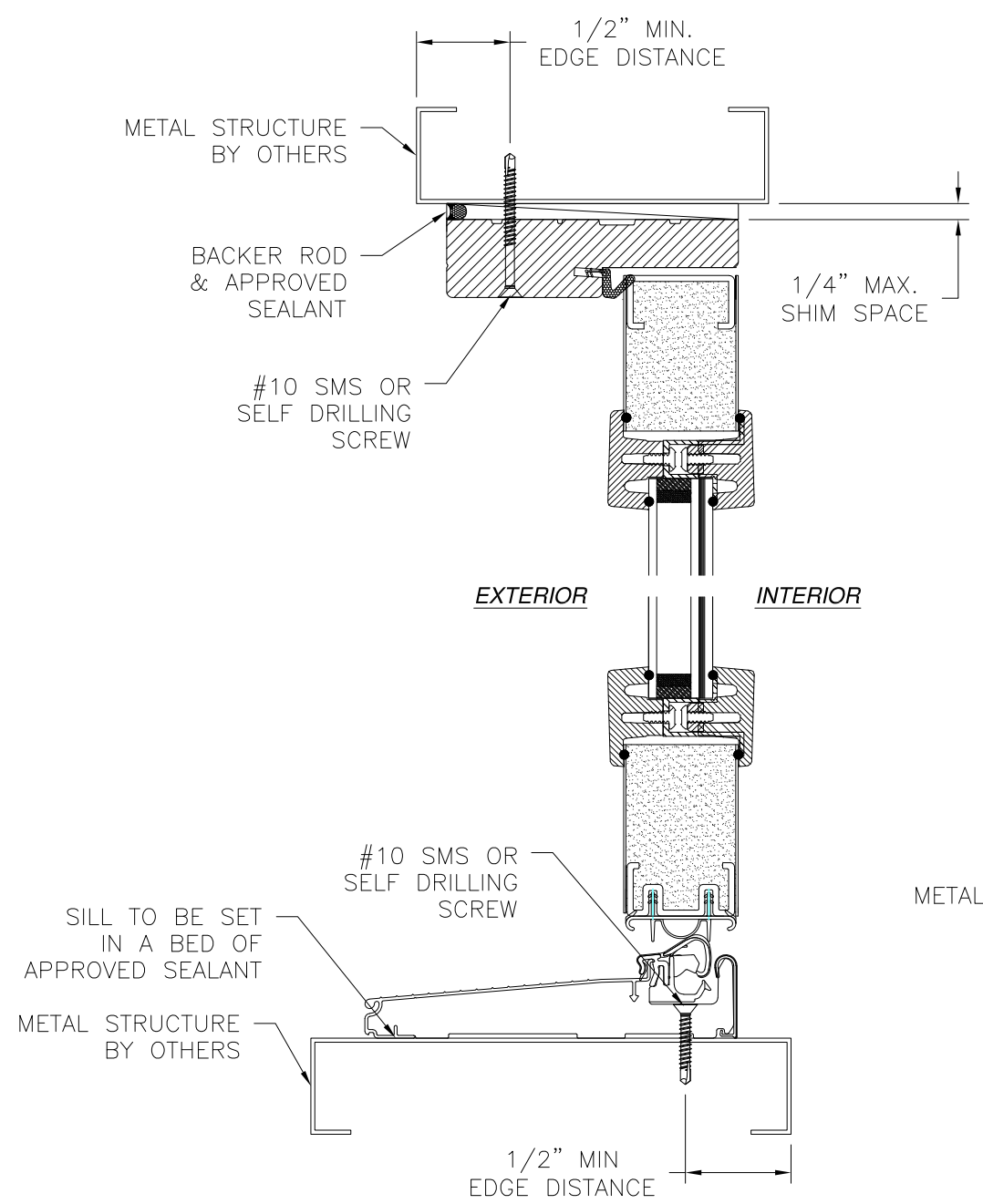
DRAWN: A.R.	DWG NO. 08-03752	REV -
SCALE NTS	DATE 08/05/2021	SHEET 5 OF 8

L. ROBERTO LOMAS P.E.
1432 WOODFORD RD LEWISVILLE, NC 27023
434-688-0609 rllomas@rlomaspe.com

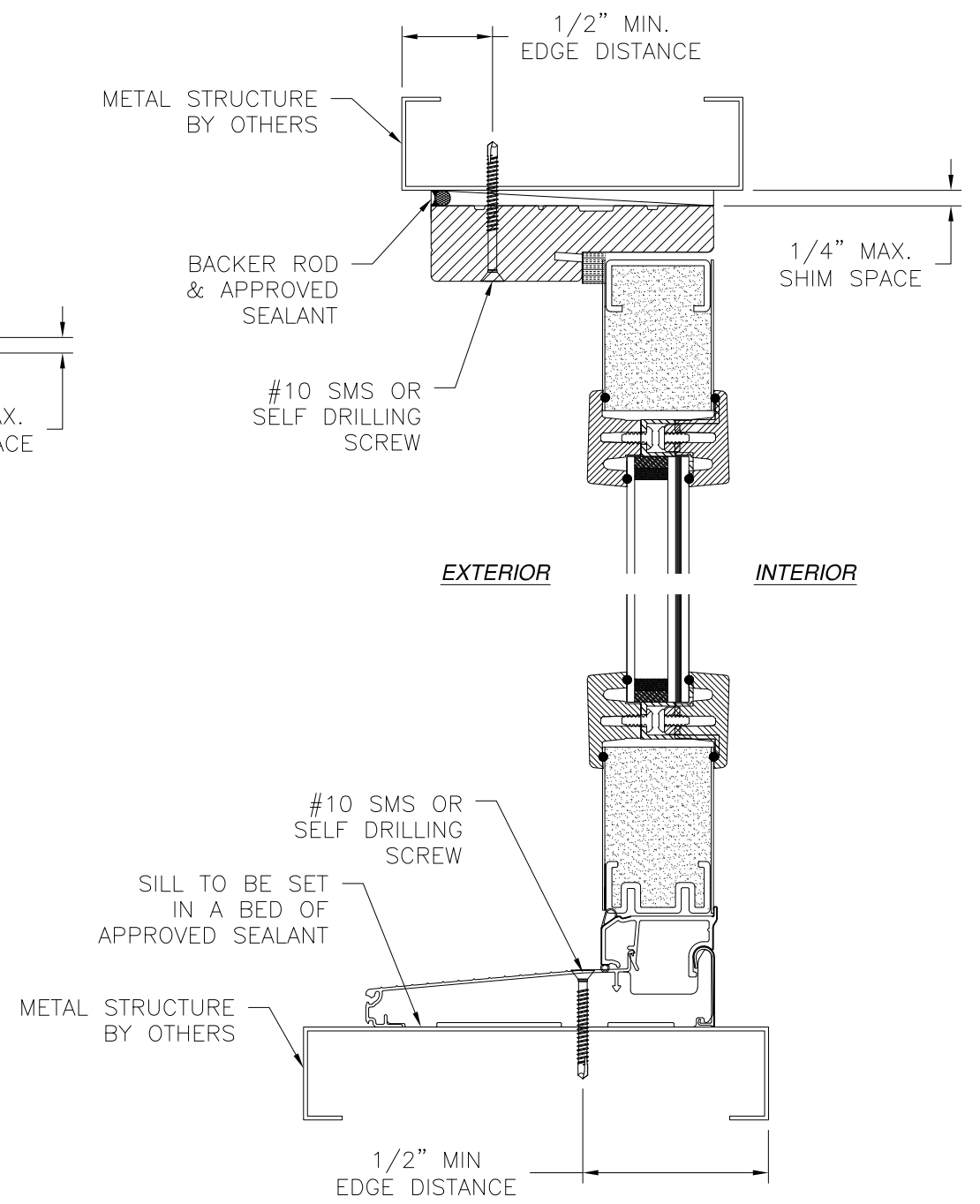


Luis R. Lomas P.E.
FL No.: 62514

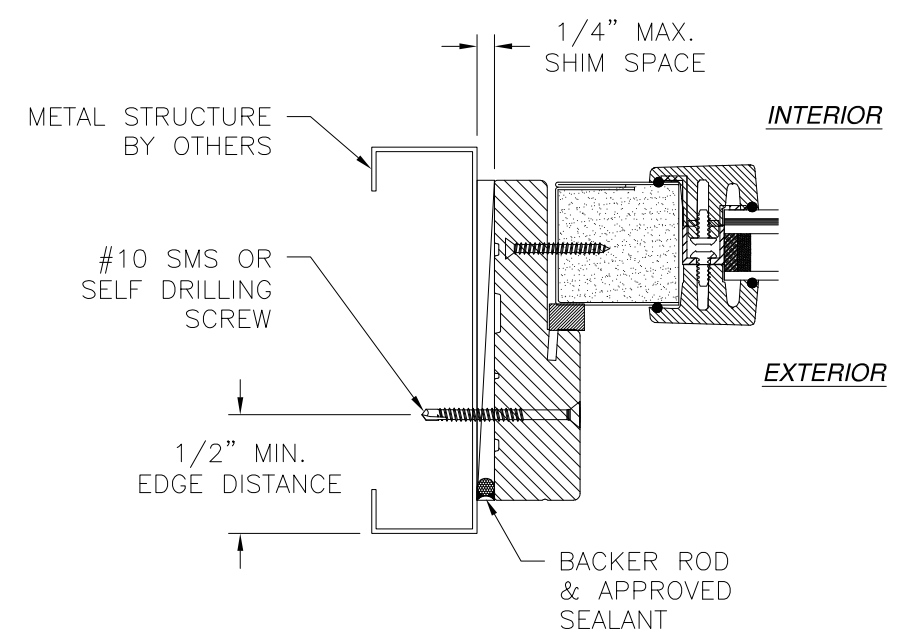
REVISIONS			
REV	DESCRIPTION	DATE	APPROVED



VERTICAL CROSS SECTION
DOOR INSTALLATION
METAL STRUCTURE INSTALLATION



VERTICAL CROSS SECTION
SIDELITE INSTALLATION
METAL STRUCTURE INSTALLATION



JAMB INSTALLATION DETAIL
METAL STRUCTURE INSTALLATION

- NOTES:**
1. INTERIOR AND EXTERIOR FINISHES, BY OTHERS, NOT SHOWN FOR CLARITY.
 2. PERIMETER AND JOINT SEALANT BY OTHERS TO BE DESIGNED IN ACCORDANCE WITH ASTM E2112

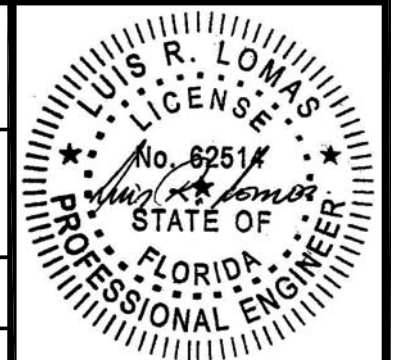
SIGNED: 11/22/2021

PROVIA, LLC.
2150 STATE ROUTE 39 WEST
SUGARCREEK, OHIO 44681

20 GAUGE STEEL PATIO DOOR
INSWING - IMPACT
INSTALLATION DETAILS

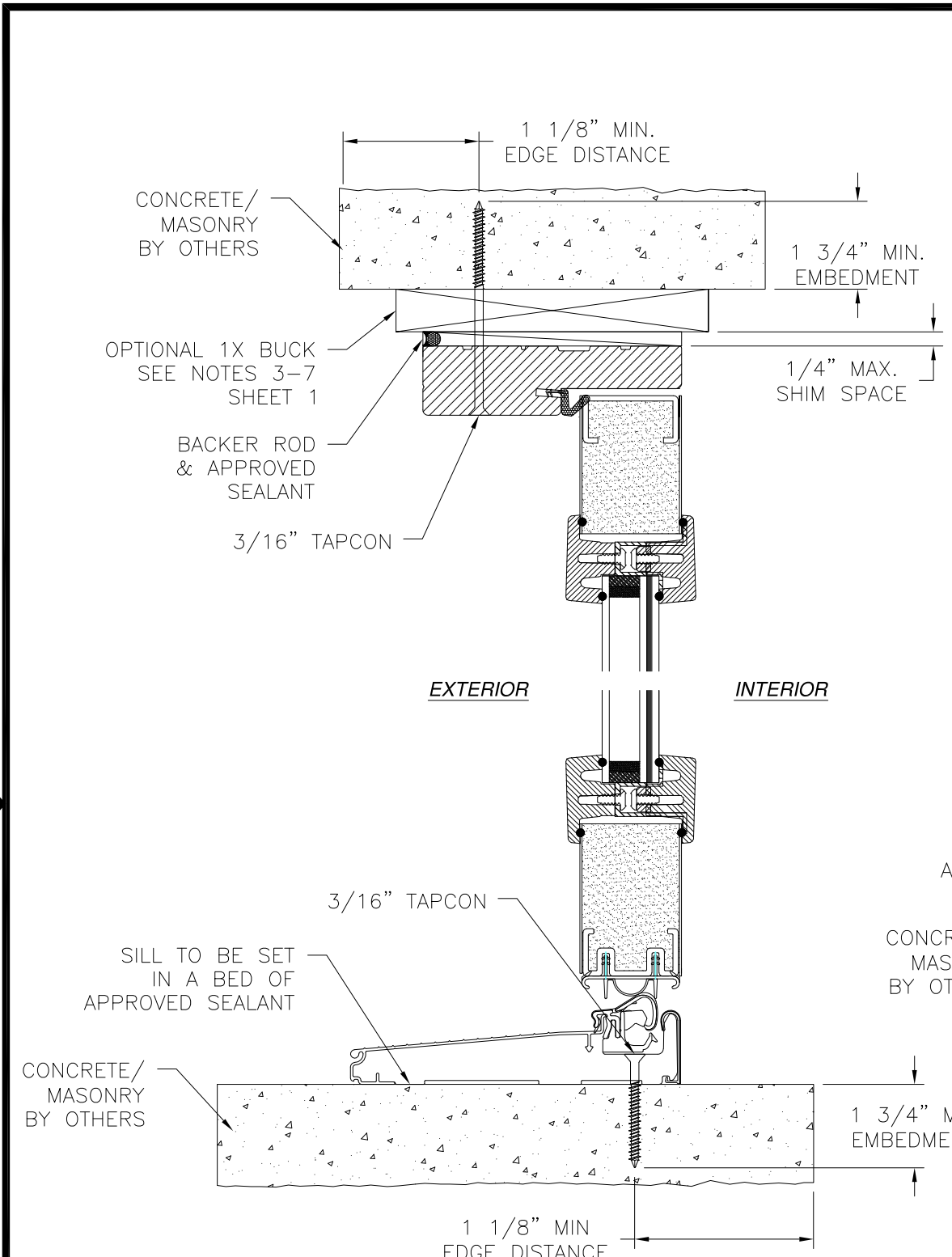
DRAWN: A.R.	DWG NO. 08-03752	REV -
SCALE NTS	DATE 08/05/2021	SHEET 6 OF 8

L. ROBERTO LOMAS P.E.
1432 WOODFORD RD LEWISVILLE, NC 27023
434-688-0609 rllomas@rlomaspe.com

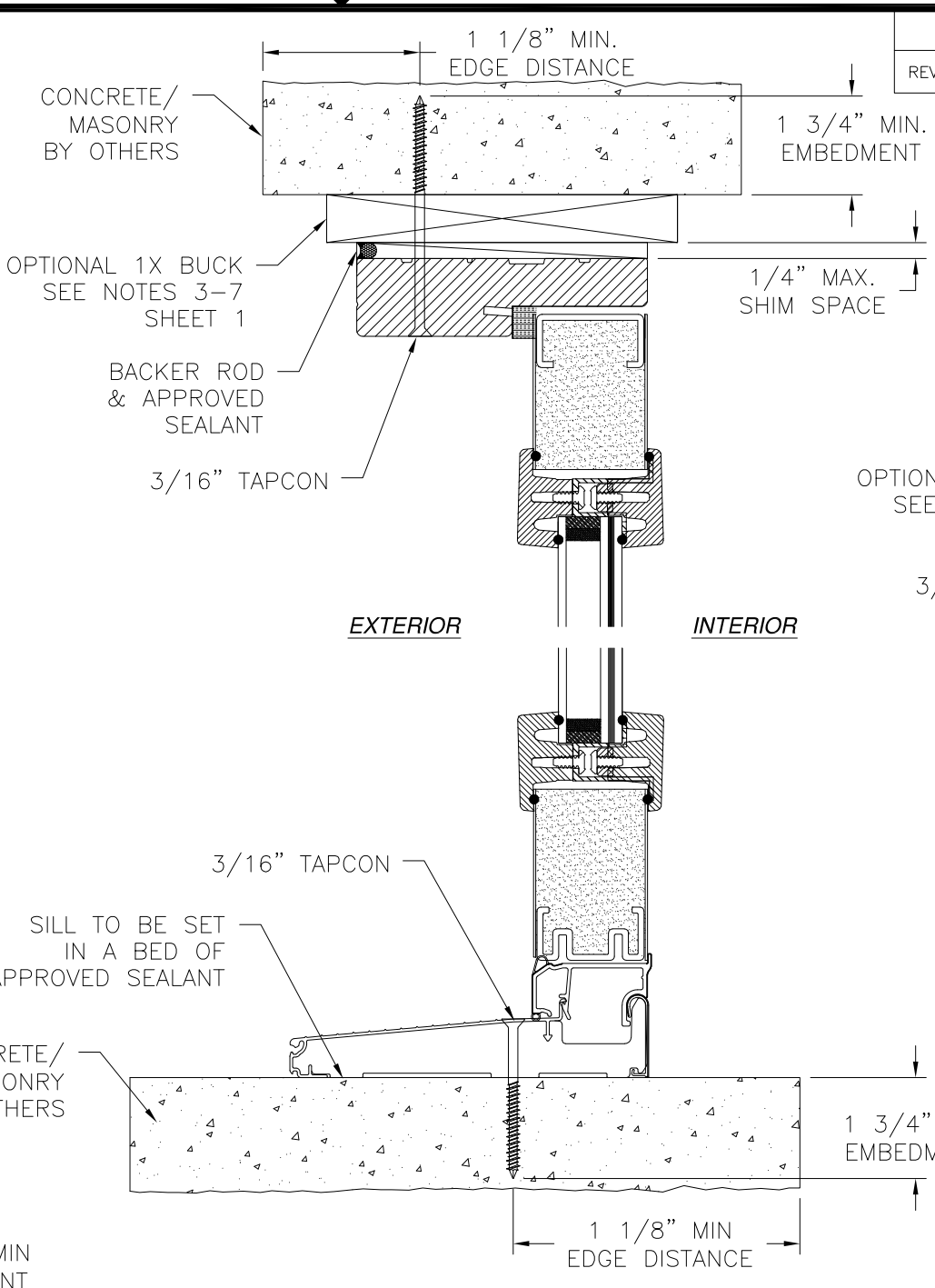


Luis R. Lomas P.E.
FL No.: 62514

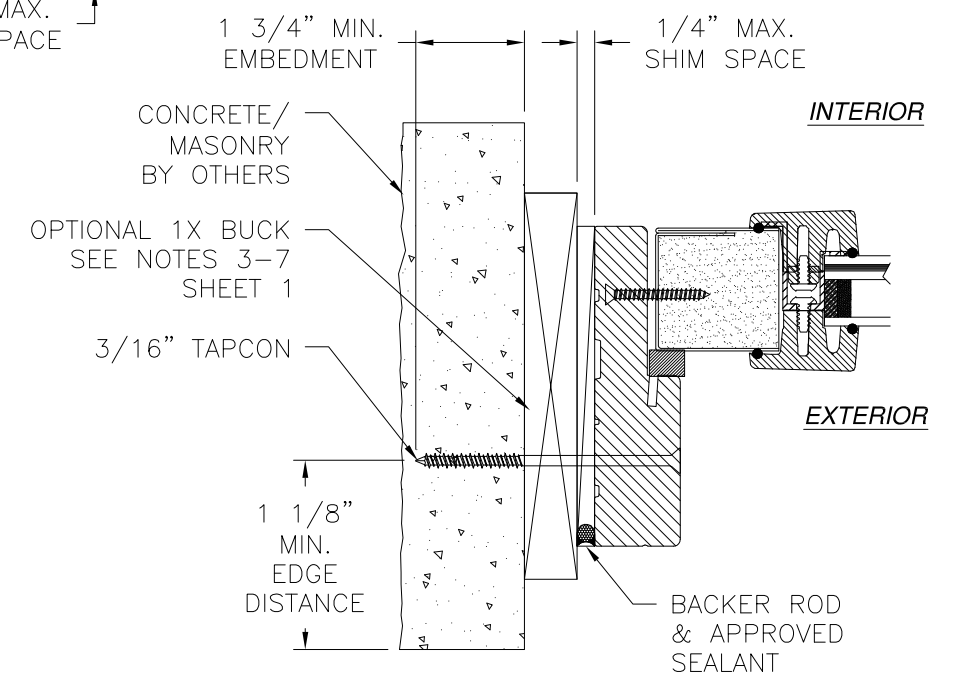
REVISIONS			
REV	DESCRIPTION	DATE	APPROVED



VERTICAL CROSS SECTION
DOOR INSTALLATION
CONCRETE/MASONRY INSTALLATION



VERTICAL CROSS SECTION
SIDELITE INSTALLATION
CONCRETE/MASONRY INSTALLATION



JAMB INSTALLATION DETAIL
CONCRETE/MASONRY INSTALLATION

- NOTES:**
1. INTERIOR AND EXTERIOR FINISHES, BY OTHERS, NOT SHOWN FOR CLARITY.
 2. PERIMETER AND JOINT SEALANT BY OTHERS TO BE DESIGNED IN ACCORDANCE WITH ASTM E2112

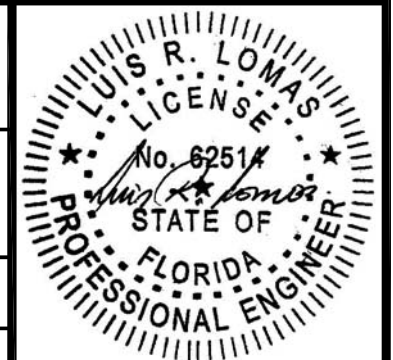
SIGNED: 11/22/2021

PROVIA, LLC.
2150 STATE ROUTE 39 WEST
SUGARCREEK, OHIO 44681

20 GAUGE STEEL PATIO DOOR
INSWING - IMPACT
INSTALLATION DETAILS

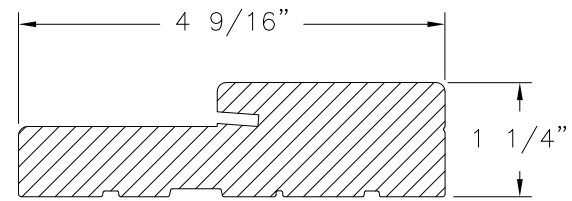
DRAWN: A.R.	DWG NO. 08-03752	REV -
SCALE NTS	DATE 08/05/2021	SHEET 7 OF 8

L. ROBERTO LOMAS P.E.
1432 WOODFORD RD LEWISVILLE, NC 27023
434-688-0609 rllomas@rlomaspe.com

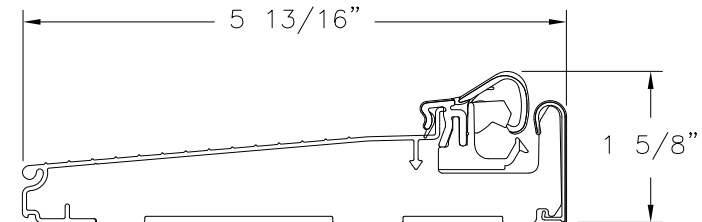


Luis R. Lomas P.E.
FL No.: 62514

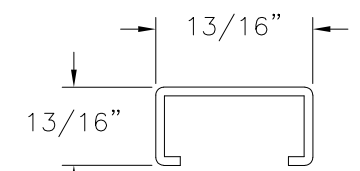
REVISIONS			
REV	DESCRIPTION	DATE	APPROVED



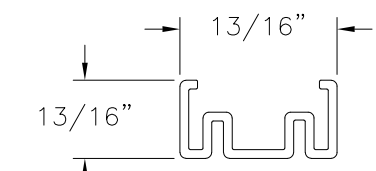
FRAMESAVER
COMPOSITE



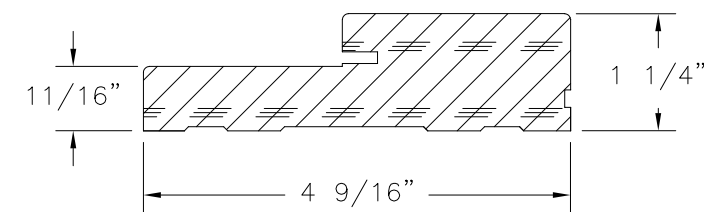
**ZAC THRESHOLD W/
ARTICULATING CAP**



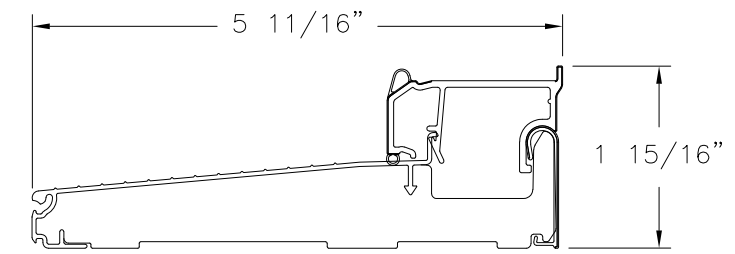
TOP C CHANNEL
WOOD G.46 MIN.



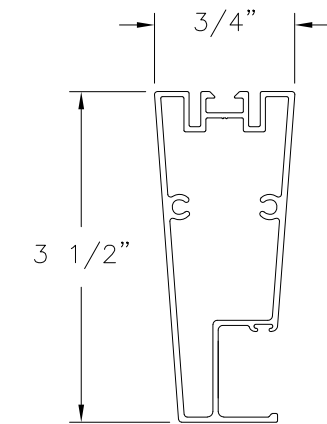
BOTTOM W CHANNEL
WOOD G.46 MIN.



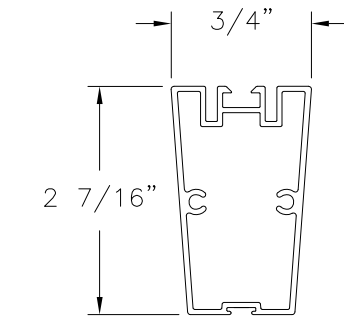
FRAME
WOOD G.46 MIN.



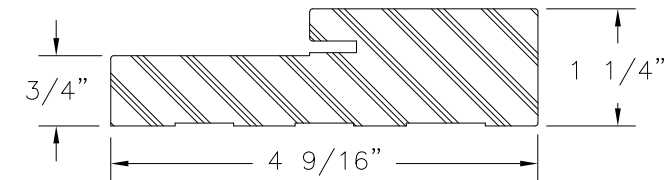
**ZAC THRESHOLD W/90 SERIES
I/S SIDELITE SILL CAP**



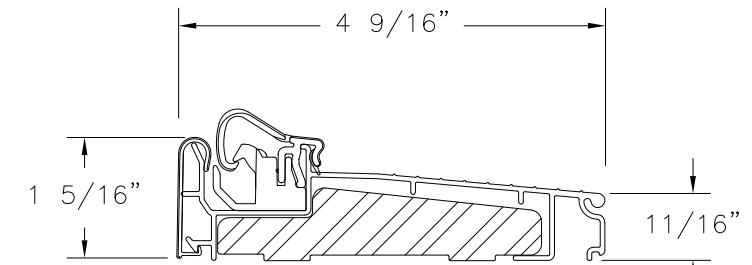
MULLION
ALUMINUM



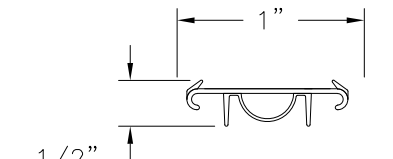
MULLION
ALUMINUM



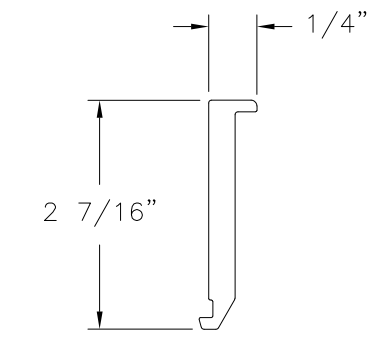
FRAME
COMPOSITE



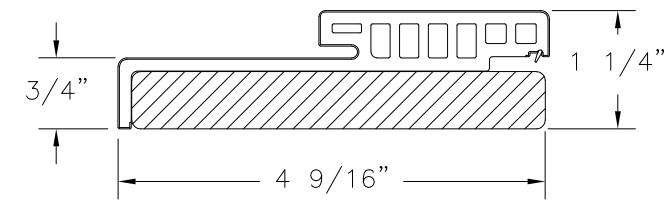
INSWING SILL ZACL4565



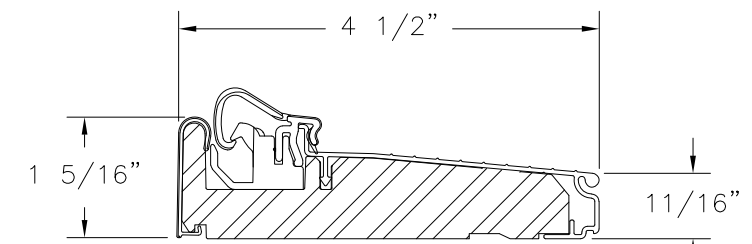
ENDURA ZAC SWEP
WOOD G.46 MIN.



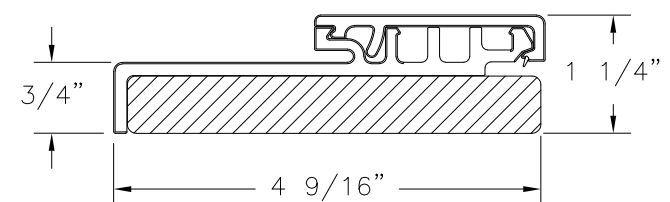
MULLION SPACER
PVC



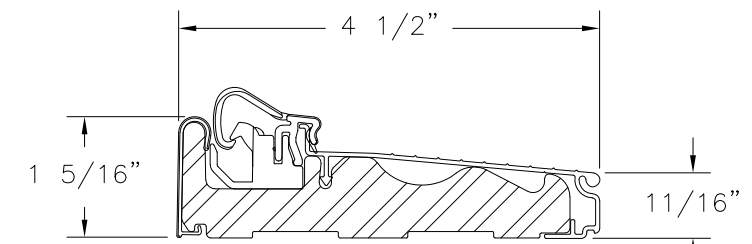
HYBRID HEAD
WOOD/COMPOSITE



INSWING SILL ZAC4565F



HYBRID JAMB
WOOD/COMPOSITE



INSWING SILL ZACLH4565

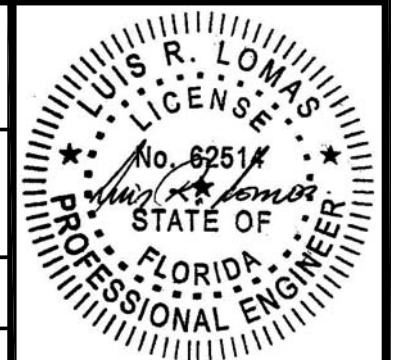
SIGNED: 11/22/2021

PROVIA, LLC.
2150 STATE ROUTE 39 WEST
SUGARCREEK, OHIO 44681

20 GAUGE STEEL PATIO DOOR
INSWING - IMPACT
COMPONENTS

DRAWN: A.R.	DWG NO. 08-03752	REV -
SCALE NTS	DATE 08/05/2021	SHEET 8 OF 8

L. ROBERTO LOMAS P.E.
1432 WOODFORD RD LEWISVILLE, NC 27023
434-688-0609 rllomas@rlomaspe.com



Luis R. Lomas P.E.
FL No.: 62514